



TB-ATK

## Features

- Predestined for public surroundings (vandalism risk), industrial extreme surroundings
- Carbon contact technology
- High operating comfort thanks to our specially developed long-stroke keys
- Trackball, keycaps and front panel made of stainless steel
- Mounting angle up to 45°
- Almost resistant to the effects of violence
- Key symbols are done by laser etching
- Customized symbols possible
- Any customer-specific adaptations can be implemented on request

## Mechanical Data

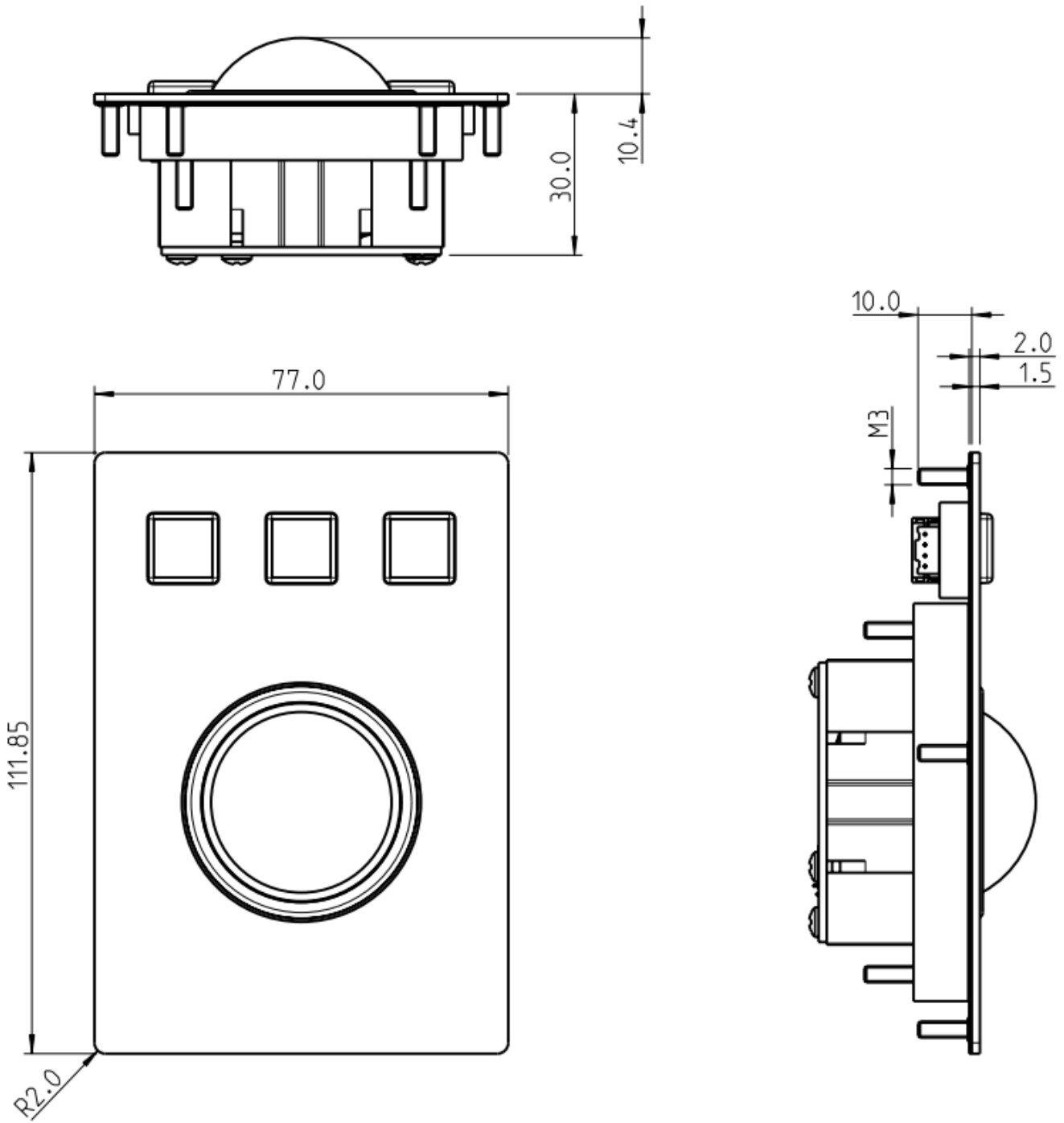
- Dimensions of 112 x 77 x 42 mm
- 1,5 mm travel keys with tactile feel
- Operation force 0,65 N
- 3 keys for mouse functions
- 13 x 13 mm ATK keycaps
- Durability > 2 million turns
- Storage temperature -25°C - +80°C
- Operation temperature 0°C - +60°C
- Protection IP65 (static)

## Electrical Data

- Connection options: USB 2.0 or PS/2
- Power supply + 5 V/DC, 50 mA
- Power consumption max. 5mA
- 2-key rollover
- Autorepeat
- CE Compliant
- RoHS/Reach Compliant

  
control touch trust

# Drawing



**PRINTEC**  
**DS**  
control touch trust